

SACC-MINMR-4CON-PG 9 - Connector



1521481

<https://www.phoenixcontact.com/ro/produse/1521481>

Vă rugăm să țineți cont de faptul că datele afișate în acest document PDF au fost generate din catalogul nostru online. Datele complete sunt disponibile în documentația pentru utilizator. În cazul descărcărilor, se aplică Termenii și condițiile generale de utilizare ale companiei noastre.



Connector, Universal, 4-position, Plug angled 7/8"-16UNF, coding: A, Screw connection, knurl material: Zinc die-cast, nickel-plated, cable gland Pg9, external cable diameter 6 mm ... 8 mm, Contact 4 leading

Avantajele dumneavoastră

- Safe use in the field, thanks to a high degree of protection
- Screw connection: proven connection technology for a large selection of different conductors

Date comerciale

| | |
|---|----------------------|
| Număr articol | 1521481 |
| Unitate de ambalare | 1 Bucată |
| Cantitate minimă pentru comandă | 1 Bucată |
| Cod produs | BF2FAA |
| Pagina de catalog | Pagina 25 (C-2-2017) |
| GTIN | 4017918949709 |
| Greutate pe bucată (inclusiv ambalajul) | 56,63 g |
| Greutate pe bucată (fără ambalaj) | 47,6 g |
| Cod tarifar vamal | 85366990 |
| Țara de origine | DE |

SACC-MINMR-4CON-PG 9 - Connector



1521481

<https://www.phoenixcontact.com/ro/produse/1521481>

Date tehnic

Notes

| | |
|---------------|--|
| Assembly note | NOTE: Observe the permissible bending radii when laying conductors, since the degree of protection may be put in jeopardy if the bending forces are too high. Alleviate mechanical loads upstream of the connector, e.g. by using cable ties. |
|---------------|--|

Mounting

| | |
|---------------|---|
| Assembly note | The wires can be connected both with ferrules and without ferrules |
| | The connector pin assignment can be rotated 45° to the cable outlet |

Product properties

| | |
|----------------------|---------------------------------|
| Product type | Circular connector (cable-side) |
| Sensor type | Universal |
| Number of positions | 4 |
| No. of cable outlets | 1 |
| Shielded | no |
| Coding | A |
| Cable outlet | angled |
| Pg screw connection | Pg9 |

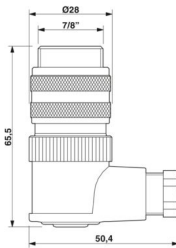
Data management status

| | |
|------------------|----|
| Article revision | 04 |
|------------------|----|

Insulation characteristics

| | |
|----------------------|-----|
| Overvoltage category | III |
| Degree of pollution | 3 |

Dimensions

| | |
|---------------------|--|
| Dimensional drawing |  |
| Length | 65.5 mm |

External dimensions

| | |
|------------------|---------------|
| Outside diameter | 6 mm ... 8 mm |
|------------------|---------------|

Housing

| | |
|------------------|-------|
| Diameter housing | 28 mm |
|------------------|-------|

SACC-MINMR-4CON-PG 9 - Connector



1521481

<https://www.phoenixcontact.com/ro/produse/1521481>

Material specifications

| | |
|--|------------------------------|
| Flammability rating according to UL 94 | HB |
| Material of grip body | PBT |
| Contact material | CuZn |
| Contact surface material | Au |
| Contact carrier material | PUR/PA 6.6 |
| Material for screw connection | Zinc die-cast, nickel-plated |

Connection data

Conductor connection

| | |
|---|--|
| Connection method | Screw connection |
| Connection cross section | 0.34 mm ² ... 1.5 mm ² (without ferrule) |
| | 0.34 mm ² ... 1.5 mm ² (with ferrule) |
| | 0.34 mm ² ... 1.5 mm ² (solid) |
| Connection cross section AWG | 22 ... 16 (without ferrule) |
| | 22 ... 16 (with ferrule) |
| Stripping length of the individual wire | 7 mm |
| Tightening torque | 0.8 Nm (7/8" connectors) |
| | 0.4 Nm (Screw terminal blocks) |
| | 0.8 Nm ... 1 Nm (Pressure screw) |

Electrical properties

| | |
|--------------------------------|----------|
| Rated surge voltage | 4 kV |
| Contact resistance | ≤ 5 mΩ |
| Insulation resistance | ≥ 100 MΩ |
| Nominal voltage U _N | 300 V AC |
| | 300 V DC |
| Nominal current I _N | 9 A |

Mechanical properties

Mechanical data

| | |
|-----------------------------|-------|
| Insertion/withdrawal cycles | ≥ 100 |
|-----------------------------|-------|

Connector

Connection 1

| | |
|-------------------|------------|
| Head design | Plug |
| Head cable outlet | angled |
| Head thread type | 7/8"-16UNF |
| Coding | A |

Cable/line

| | |
|----------------------|-----------|
| Signal type/category | Universal |
|----------------------|-----------|

SACC-MINMR-4CON-PG 9 - Connector



1521481

<https://www.phoenixcontact.com/ro/produse/1521481>

| | |
|---|------|
| Stripping length of the individual wire | 7 mm |
|---|------|

Environmental and real-life conditions

Ambient conditions

| | |
|---------------------------------|----------------------------------|
| Degree of protection | IP67 |
| Ambient temperature (operation) | -25 °C ... 85 °C (Plug / socket) |

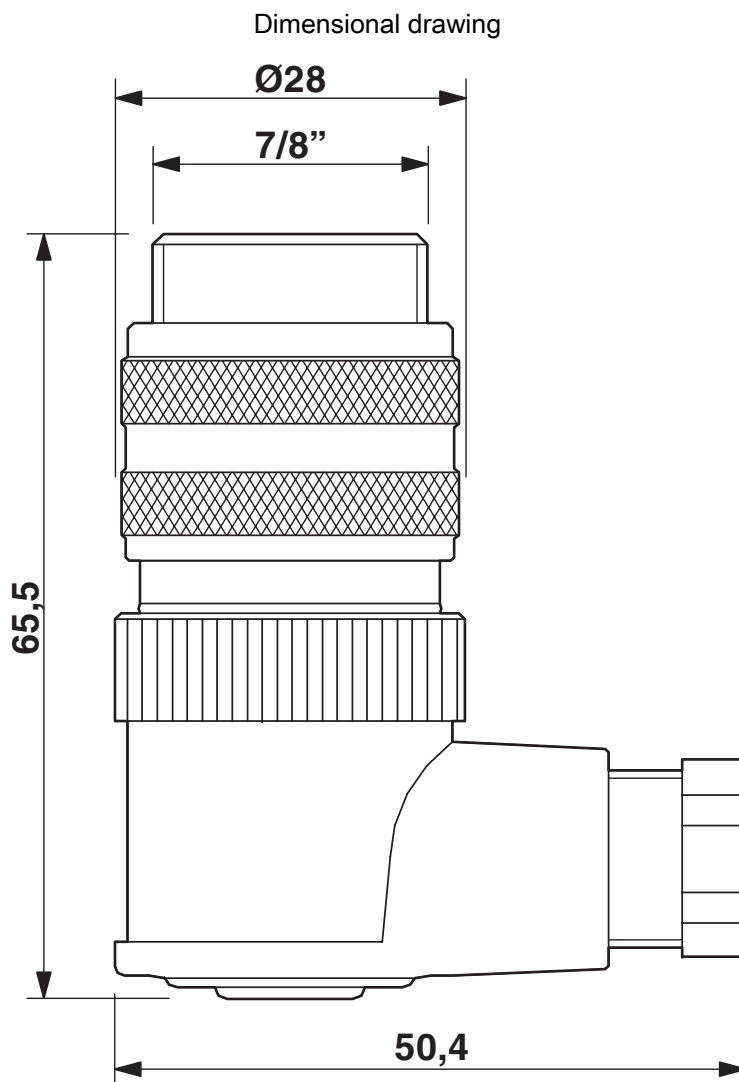
SACC-MINMR-4CON-PG 9 - Connector

1521481

<https://www.phoenixcontact.com/ro/produse/1521481>



Desene



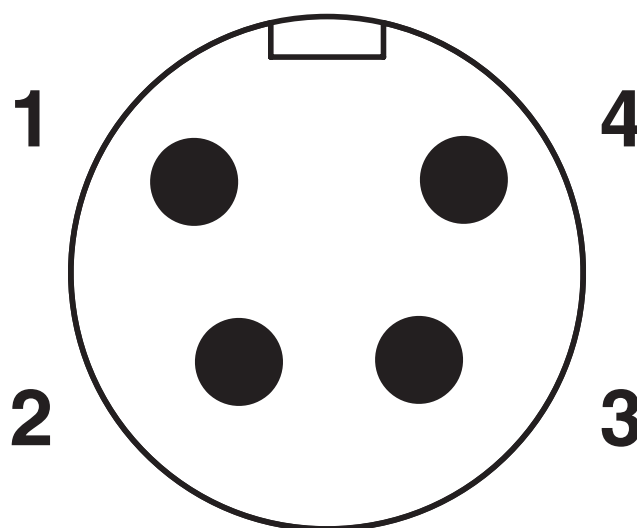
Male $7/8''$ -16UNF, angled, Pg9

SACC-MINMR-4CON-PG 9 - Connector

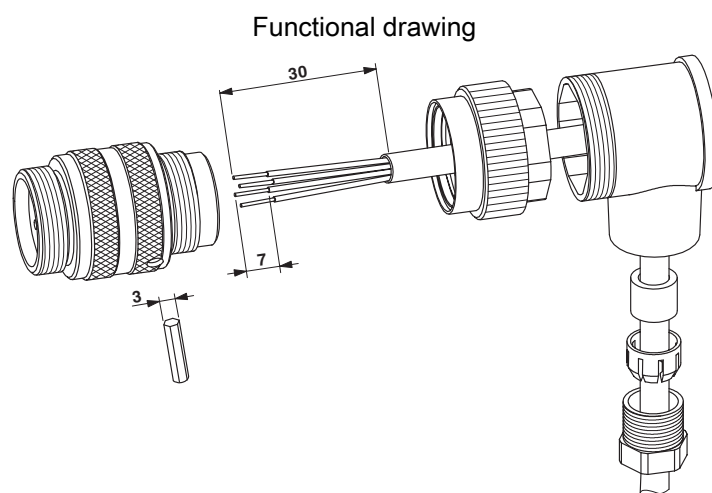
1521481

<https://www.phoenixcontact.com/ro/produse/1521481>

Schematic diagram



Pin assignment, plug, 7/8"-16UNF, 4-pos., view of male side



SACC-MINMR-4CON-PG 9 - Connector





1521481


<https://www.phoenixcontact.com/ro/produse/1521481>

Aprobări

To download certificates, visit the product detail page: <https://www.phoenixcontact.com/ro/produse/1521481>

|  cUL Recognized ID de înregistrare: FILE E 221474 | | | | |
|--|-------------------------|----------------------|------------------------------|--|
| | Tensiune nominală U_N | Curent nominal I_N | Secțiune transversală AWG | Secțiune transversală mm^2 |
| | 600 V | 9 A | - | - |

|  UL Recognized ID de înregistrare: FILE E 221474 | | | | |
|---|-------------------------|----------------------|------------------------------|--|
| | Tensiune nominală U_N | Curent nominal I_N | Secțiune transversală AWG | Secțiune transversală mm^2 |
| | 600 V | 9 A | - | - |

|  EAC ID de înregistrare: RU C-DE.BL08.B.00511 | | | | |
|--|--|--|--|--|
|--|--|--|--|--|

| cULus Recognized | | | | |
|-------------------------|--|--|--|--|
|-------------------------|--|--|--|--|

SACC-MINMR-4CON-PG 9 - Connector



1521481

<https://www.phoenixcontact.com/ro/produse/1521481>

Clasificări

ECLASS

| | |
|-------------|----------|
| ECLASS-11.0 | 27440102 |
| ECLASS-12.0 | 27440116 |
| ECLASS-13.0 | 27440116 |

ETIM

| | |
|----------|----------|
| ETIM 9.0 | EC002635 |
|----------|----------|

UNSPSC

| | |
|-------------|----------|
| UNSPSC 21.0 | 39121400 |
|-------------|----------|

1521481

<https://www.phoenixcontact.com/ro/produse/1521481>

Environmental product compliance

EU RoHS

| | |
|--|------|
| Îndeplinește cerințele conform directivei RoHS | Da |
| reglementări excepționale, dacă sunt cunoscute | 6(c) |

China RoHS

| | |
|--|--|
| Environment friendly use period (EFUP) | EFUP-50 |
| | Un tabel de declarații China RoHS legat de articol poate fi găsit în zona de descărcare a articolului respectiv la „Declarația producătorului”. Nu se emite și nu este necesar niciun tabel de declarații China RoHS pentru toate articolele EFUP-E. |

EU REACH SVHC

| | |
|--|--------------------------------------|
| Trimitere la substanța candidată REACH (nr. CAS) | Lead(nr. CAS: 7439-92-1) |
| SCIP | 19b62f7e-e2bc-4935-9747-5668077afba5 |

SACC-MINMR-4CON-PG 9 - Connector



1521481

<https://www.phoenixcontact.com/ro/produce/1521481>

Accesorii

PROT-MINFS-PA-CHAIN - Sealing cap

1430912

<https://www.phoenixcontact.com/ro/produce/1430912>

7/8" sealing cap made of plastic with fixing band, for sensor cables, for 7/8" connectors



TSD 08 SAC - Torque screwdriver

1212597

<https://www.phoenixcontact.com/ro/produce/1212597>

Torque screw driver with preset torque of 0.8 Nm, with 4 mm hexagon for accommodating SAC bits, two-component handle with non-slip grip



SACC-MINMR-4CON-PG 9 - Connector



1521481

<https://www.phoenixcontact.com/ro/produce/1521481>

TSD-M 1,2NM - Torque screwdriver

1212224

<https://www.phoenixcontact.com/ro/produce/1212224>



Torque screw driver, accuracy as per EN ISO 6789 standard, adjustable from 0.3 - 1.2 Nm

TSD-M SAC-BIT ADAPTER - Adapter insert

1212600

<https://www.phoenixcontact.com/ro/produce/1212600>



Adapter bit for TSD-M...torque tools, E6.3-1/4" drive with 4 mm hexagon to accommodate SAC bits

SACC-MINMR-4CON-PG 9 - Connector



1521481

<https://www.phoenixcontact.com/ro/produse/1521481>

SAC BIT MIN-D25 - Tool

1212512

<https://www.phoenixcontact.com/ro/produse/1212512>

Nut for assembling 7/8" connectors with a knurl diameter of 25 mm, with 4 mm hexagonal drive



Phoenix Contact 2024 © - Toate drepturile rezervate

<https://www.phoenixcontact.com>

PHOENIX CONTACT România

Splaiul Unirii 165 Timpuri Noi Square TNO1, Etaj 1

Bucuresti 030133

+40 21 350 88 12 - 3

sales.ro@phoenixcontact.com