

SACC-M 8MS-3CON-M-SW - Connector



1501252

<https://www.phoenixcontact.com/ro/produse/1501252>

Vă rugăm să țineți cont de faptul că datele afișate în acest document PDF au fost generate din catalogul nostru online. Datele complete sunt disponibile în documentația pentru utilizator. În cazul descărcărilor, se aplică Termenii și condițiile generale de utilizare ale companiei noastre.



Connector, Universal, 3-position, Plug straight M8, coding: A, Screw connection, knurl material: Brass, nickel-plated, external cable diameter 3.5 mm ... 5 mm

Avantajele dumneavoastră

- Safe use in the field, thanks to a high degree of protection
- Screw connection: proven connection technology for a large selection of different conductors

Date comerciale

Număr articol	1501252
Unitate de ambalare	1 Bucată
Cantitate minimă pentru comandă	1 Bucată
Cod produs	BF2BAA
Pagina de catalog	Pagina 17 (C-2-2019)
GTIN	4017918612795
Greutate pe bucată (inclusiv ambalajul)	11,29 g
Greutate pe bucată (fără ambalaj)	8,7 g
Cod tarifar vamal	85366990
Țara de origine	DE

SACC-M 8MS-3CON-M-SW - Connector



1501252

<https://www.phoenixcontact.com/ro/produse/1501252>

Date tehnic

Notes

Assembly note	NOTE: Observe the permissible bending radii when laying conductors, since the degree of protection may be put in jeopardy if the bending forces are too high. Alleviate mechanical loads upstream of the connector, e.g. by using cable ties.
---------------	--

Mounting

Assembly note	The wires can be connected both with ferrules (without insulation) and without ferrules.
---------------	--

Product properties

Product type	Circular connector (cable-side)
Sensor type	Universal
Number of positions	3
No. of cable outlets	1
Shielded	no
Coding	A

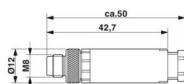
Data management status

Article revision	02
------------------	----

Insulation characteristics

Overvoltage category	III
Degree of pollution	3

Dimensions

Dimensional drawing	
Width	12 mm
Height	12 mm
Length	50 mm

External dimensions

Outside diameter	3.5 mm ... 5 mm
------------------	-----------------

Housing

Diameter housing	12 mm
------------------	-------

Material specifications

Flammability rating according to UL 94	HB
Seal material	NBR
Material of grip body	PBT

SACC-M 8MS-3CON-M-SW - Connector



1501252

<https://www.phoenixcontact.com/ro/produce/1501252>

Contact material	CuZn
Contact surface material	Au
Contact carrier material	PA
Material for screw connection	Brass, nickel-plated

Connection data

Conductor connection

Connection method	Screw connection
Connection cross section	0.14 mm ² ... 0.5 mm ² (without ferrule)
	0.08 mm ² ... 0.5 mm ² (with ferrule)
	0.14 mm ² ... 0.5 mm ² (solid)
Connection cross section AWG	26 ... 20 (without ferrule)
Stripping length of the individual wire	4 mm
Tightening torque	0.2 Nm (M8 knurl)
	0.5 Nm (Connector with coupling sleeve)
	0.3 Nm ... 0.4 Nm (Pressure screw for outer cable diameter 3 mm ... 4 mm)
	0.8 Nm ... 1 Nm (Pressure screw in the case of external cable diameter 4 mm ... 5 mm)
	0.1 Nm (Screw terminal blocks)

Electrical properties

Rated surge voltage	1.5 kV
Contact resistance	≤ 3 mΩ
Insulation resistance	≥ 100 MΩ
Nominal voltage U _N	48 V AC
	60 V DC
Nominal current I _N	4 A

Mechanical properties

Mechanical data

Insertion/withdrawal cycles	≥ 100
-----------------------------	-------

Connector

Connection 1

Head design	Plug
Head cable outlet	straight
Head thread type	M8
Coding	A

Cable/line

Signal type/category	Universal
Stripping length of the individual wire	4 mm

SACC-M 8MS-3CON-M-SW - Connector



1501252

<https://www.phoenixcontact.com/ro/produse/1501252>

Environmental and real-life conditions

Ambient conditions

Degree of protection	IP67
Ambient temperature (operation)	-40 °C ... 85 °C (Plug / socket)

Standards and regulations

M8

Standard designation	M8 connector
Standards/specifications	IEC 61076-2-104

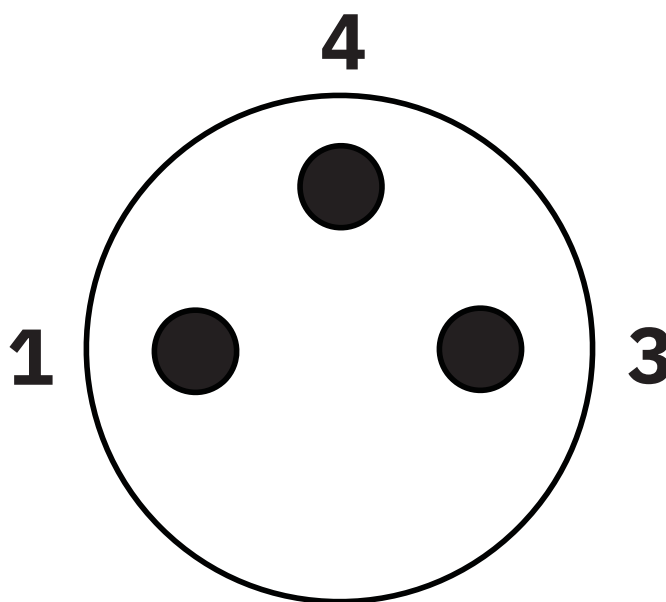
SACC-M 8MS-3CON-M-SW - Connector

1501252

<https://www.phoenixcontact.com/ro/produse/1501252>

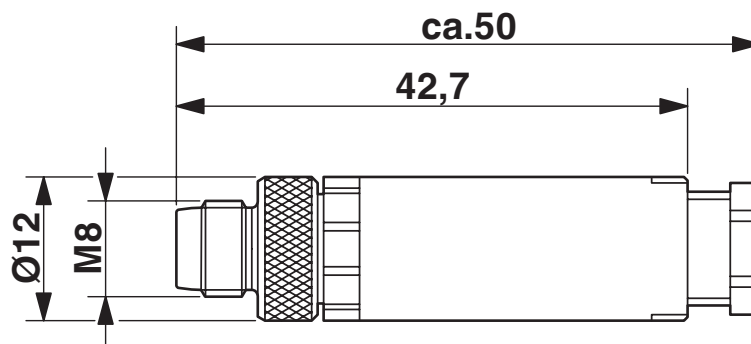
Desene

Schematic diagram



M8 plug pin assignment, 3-pos., view of pin side

Dimensional drawing



M8 x 1 male plug, straight version

SACC-M 8MS-3CON-M-SW - Connector





1501252

<https://www.phoenixcontact.com/ro/produse/1501252>

Aprobări

To download certificates, visit the product detail page: <https://www.phoenixcontact.com/ro/produse/1501252>

 UL Listed ID de înregistrare: FILE E 221474				
	Tensiune nominală U_N	Curent nominal I_N	Secțiune transversală AWG	Secțiune transversală mm^2
	60 V	4 A	-	-

 cUL Listed ID de înregistrare: FILE E 221474				
	Tensiune nominală U_N	Curent nominal I_N	Secțiune transversală AWG	Secțiune transversală mm^2
	60 V	4 A	-	-

cULus Listed				
---------------------	--	--	--	--

SACC-M 8MS-3CON-M-SW - Connector



1501252

<https://www.phoenixcontact.com/ro/produse/1501252>

Clasificări

ECLASS

ECLASS-11.0	27440102
ECLASS-12.0	27440116
ECLASS-13.0	27440116

ETIM

ETIM 9.0	EC002635
----------	----------

UNSPSC

UNSPSC 21.0	39121400
-------------	----------

1501252

<https://www.phoenixcontact.com/ro/produse/1501252>

Environmental product compliance

EU RoHS

Îndeplinește cerințele conform directivei RoHS	Da
reglementări excepționale, dacă sunt cunoscute	6(c)

China RoHS

Environment friendly use period (EFUP)	EFUP-50
	Un tabel de declarații China RoHS legat de articol poate fi găsit în zona de descărcare a articolului respectiv la „Declarația producătorului”. Nu se emite și nu este necesar niciun tabel de declarații China RoHS pentru toate articolele EFUP-E.

EU REACH SVHC

Trimitere la substanța candidată REACH (nr. CAS)	Lead(nr. CAS: 7439-92-1)
SCIP	47c81d55-f76e-43d3-9f1e-32c1d2e26181

SACC-M 8MS-3CON-M-SW - Connector

1501252

<https://www.phoenixcontact.com/ro/produse/1501252>



Accesorii

SACC-M 8-SET/2,2-3,5 - Connector

1436945

<https://www.phoenixcontact.com/ro/produse/1436945>



Sensor/actuator connector, accessories, pressure screw and seal, for unshielded M8 connector, cable diameter 2.2 mm - 3.5 mm

PROT-M 8 FS-PA-CHAIN - Sealing cap

1430857

<https://www.phoenixcontact.com/ro/produse/1430857>



M8 sealing cap made of plastic with fixing band for sensor cables, for M8 plugs

SACC-M 8MS-3CON-M-SW - Connector

1501252

<https://www.phoenixcontact.com/ro/produce/1501252>

SAC-3P-100,0-PUR/0,25 - Cable reel

1501689

<https://www.phoenixcontact.com/ro/produce/1501689>



By the meter, Cable reel, PUR halogen-free, black-gray RAL 7021, 3-wire, color single wire: brown, blue, black, cable length: 100 m

SAC-3P-100,0-PUR/0,34 - Cable reel

1501650

<https://www.phoenixcontact.com/ro/produce/1501650>



By the meter, Cable reel, PUR halogen-free, black-gray RAL 7021, 3-wire, color single wire: brown, blue, black, cable length: 100 m

SACC-M 8MS-3CON-M-SW - Connector

1501252

<https://www.phoenixcontact.com/ro/produce/1501252>

TSD 02 SAC - Torque screwdriver

1208487

<https://www.phoenixcontact.com/ro/produce/1208487>



Torque screwdriver, with preset torque of 0.2 Nm and 4 mm hexagonal drive for M8 connectors

SACC BIT M8-D12 - Tool

1208474

<https://www.phoenixcontact.com/ro/produce/1208474>



Nut for assembling M8 connectors with longitudinal knurl and a knurl diameter of 12 mm, for 4 mm hexagonal drive

SACC-M 8MS-3CON-M-SW - Connector



1501252

<https://www.phoenixcontact.com/ro/produce/1501252>

TSD-M 1,2NM - Torque screwdriver

1212224

<https://www.phoenixcontact.com/ro/produce/1212224>



Torque screw driver, accuracy as per EN ISO 6789 standard, adjustable from 0.3 - 1.2 Nm

TSD-M SAC-BIT ADAPTER - Adapter insert

1212600

<https://www.phoenixcontact.com/ro/produce/1212600>



Adapter bit for TSD-M...torque tools, E6.3-1/4" drive with 4 mm hexagon to accommodate SAC bits

Phoenix Contact 2024 © - Toate drepturile rezervate
<https://www.phoenixcontact.com>

PHOENIX CONTACT România
Splaiul Unirii 165 Timpuri Noi Square TNO1, Etaj 1
Bucuresti 030133
+40 21 350 88 12 - 3
sales.ro@phoenixcontact.com