

MINI MCR-SL-NAM-2RNO - Switching amplifier



2864105

<https://www.phoenixcontact.com/ro/produse/2864105>

Vă rugăm să țineți cont de faptul că datele afișate în acest document PDF au fost generate din catalogul nostru online. Datele complete sunt disponibile în documentația pentru utilizator. În cazul descărcărilor, se aplică Termenii și condițiile generale de utilizare ale companiei noastre.



Configurable NAMUR switching amplifier for proximity sensors, floating switching contacts and switching contacts with resistance circuit. On the output side 2 N/O contact, with screw connection

Descriere produs

The 6.2 mm wide MINI MCR-SL-NAM-2RNO... is a configurable 4-way isolation amplifier. It is suited for the operation of proximity sensors in acc. with EN 60947-5-6 and switches and also has two relay outputs. The second output can either be used to duplicate signals or for signaling faults for the sensor line.

The DIP switches are accessible on the housing side and allow the following parameters to be configured:

- Switchover from open circuit to closed circuit current behavior
- Activation of line fault detection of the sensor line as well as
- Selection of signal duplication/fault signaling

Power (19.2 V DC to 30 V DC) can be supplied through connection terminal blocks on the modules or in conjunction with the DIN rail connector.

Avantajele dumneavoastră

- Floating contacts and contacts with resistance circuit can be connected
- Power supply possible via the foot element (TBUS)
- Highly compact isolation amplifier for electrical isolation, amplification, and duplication of proximity sensor signals
- For proximity sensors according to IEC 60947-5-6 and EN 50227
- Second output can be used as a duplicator or error signaling output
- Error indication via diagnostic LED and analog signal
- N/O contacts at output
- Input and output signals can be configured via DIP switches
- Operating current/closed circuit current switch-over (inverted switching behavior)

Date comerciale

Număr articol	2864105
Unitate de ambalare	1 Bucată
Cantitate minimă pentru comandă	1 Bucată
Cod produs	CK1241
Pagina de catalog	Pagina 112 (C-7-2015)
GTIN	4046356046459
Greutate pe bucată (inclusiv ambalajul)	99,9 g
Greutate pe bucată (fără ambalaj)	71,2 g
Cod tarifar vamal	85365019
Țara de origine	DE

MINI MCR-SL-NAM-2RNO - Switching amplifier



2864105

<https://www.phoenixcontact.com/ro/produse/2864105>

Date tehnic

Notes

Utilization restriction

EMC note	EMC: class A product, see manufacturer's declaration in the download area
----------	---

Product properties

Product type	Isolating switch transf.
Product family	MINI Analog
No. of channels	1
Configuration	DIP switches

Data management status

Article revision	14
------------------	----

Insulation characteristics

Overvoltage category	II
Pollution degree	2

System properties

Functionality

Configuration	DIP switches
---------------	--------------

Electrical properties

Rated insulation voltage	150 V AC (Input/relay outputs (reinforced insulation))
	150 V AC (Supply/relay outputs (reinforced insulation))
	150 V AC (Relay output 1/relay output 2 (reinforced insulation))
	30 V AC (Input/supply)
	50 V DC (Input/supply)
Electrical isolation	Reinforced insulation in accordance with EN 61010-1
Electrical isolation between input and output	yes
Test voltage, input/output/supply	1.5 kV AC (50 Hz, 60 s)

Supply

Designation	Supply
Nominal supply voltage	24 V DC
Supply voltage range	19.2 V DC ... 30 V DC (The DIN rail connector (ME 6,2 TBUS-2 1,5/5-ST-3,81 GN, item no. 2869728) can be used to bridge the supply voltage. It can be snapped onto a 35 mm DIN rail in accordance with EN 60715)
Max. current consumption	< 25 mA
Power consumption	< 600 mW

Input data

MINI MCR-SL-NAM-2RNO - Switching amplifier



2864105

<https://www.phoenixcontact.com/ro/produse/2864105>

Signal: NAMUR

Number of inputs	1
Available input sources	NAMUR proximity sensors (IEC/EN 60947-5-6)
	Floating switch contacts
	Switch contacts with resistance circuit
Switching threshold "0" signal current	< 1.2 mA (blocking)
Switching threshold "1" signal, current	> 2.1 mA (conductive)
Line fault detection	> 6 mA (Short circuit)
	< 0.35 mA (Line break)
	Activated /deactivated via DIP switch
Non-load voltage	8.2 V DC \pm 10 %

Output data

Switching: Relay

Output description	Output 1: Signal output; Output 2: Fault signaling output or signal duplicator, can be set via DIP switches
Contact switching type	2 N/O contacts
Contact material	Hard gold plated AgNi
Maximum switching voltage	250 V AC
	125 V DC
	150 V AC (UL)
	125 V DC (UL)
Maximum inrush current	2 A
Min. switching current	1 mA (5 V DC)
Typical response time	15 ms
Typical turn-off time	20 ms
Switching frequency	0.5 Hz (240 V AC / 30 V DC / 2 A)
	10 Hz (without load)

Signal

Number of outputs	2
-------------------	---

Connection data

Connection method	Screw connection
Stripping length	12 mm
Screw thread	M3
Conductor cross section rigid	0.2 mm ² ... 2.5 mm ²
Conductor cross section flexible	0.2 mm ² ... 2.5 mm ²
Conductor cross section AWG	26 ... 12

Signaling

Status display	Red LED (error messages)
	Yellow LED (relay status messages)

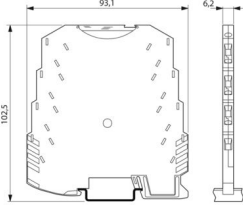
MINI MCR-SL-NAM-2RNO - Switching amplifier



2864105

<https://www.phoenixcontact.com/ro/produse/2864105>

Dimensions

Dimensional drawing	
Width	6.2 mm
Height	93.1 mm
Depth	101.2 mm

Material specifications

Color	green (RAL 6021)
Housing material	PBT
Fire protection for rail vehicles (DIN EN 45545-2) R22	HL 1 - HL 2
Fire protection for rail vehicles (DIN EN 45545-2) R23	HL 1 - HL 2
Fire protection for rail vehicles (DIN EN 45545-2) R24	HL 1 - HL 2

Environmental and real-life conditions

Ambient conditions

Degree of protection	IP20
Ambient temperature (operation)	-20 °C ... 65 °C
Ambient temperature (storage/transport)	-40 °C ... 85 °C
Altitude	≤ 2000 m
Permissible humidity (operation)	5 % ... 95 % (non-condensing)

Approvals

CE

Certificate	CE-compliant
-------------	--------------

UKCA

Certificate	UKCA-compliant
-------------	----------------

UL, USA/Canada

Identification	UL 508 Recognized Class I, Div. 2, Groups A, B, C, D T4
----------------	--

Shipbuilding approval

Certificate	DNV GL TAA000020N
-------------	-------------------

DNV GL data

Temperature	B
Humidity	B
Vibration	B

MINI MCR-SL-NAM-2RNO - Switching amplifier



2864105

<https://www.phoenixcontact.com/ro/produse/2864105>

EMC	A
Enclosure	Required protection according to the Rules shall be provided upon installation on board

EMC data

Noise immunity	EN 61000-6-2
Note	When being exposed to interference, there may be minimal deviations.
Electromagnetic compatibility	Conformance with EMC directive
Noise emission	EN 61000-6-4

Electromagnetic HF field

Designation	Electromagnetic RF field
Standards/regulations	EN 61000-4-3
Evaluation criterion	A

Fast transients (burst)

Designation	Fast transients (burst)
Standards/regulations	EN 61000-4-4
Evaluation criterion	A

Conducted interference

Designation	Conducted interferences
Standards/regulations	EN 61000-4-6
Evaluation criterion	A

Standards and regulations

Electrical isolation	Reinforced insulation in accordance with EN 61010-1
----------------------	---

Mounting

Mounting type	DIN rail mounting
Mounting position	any

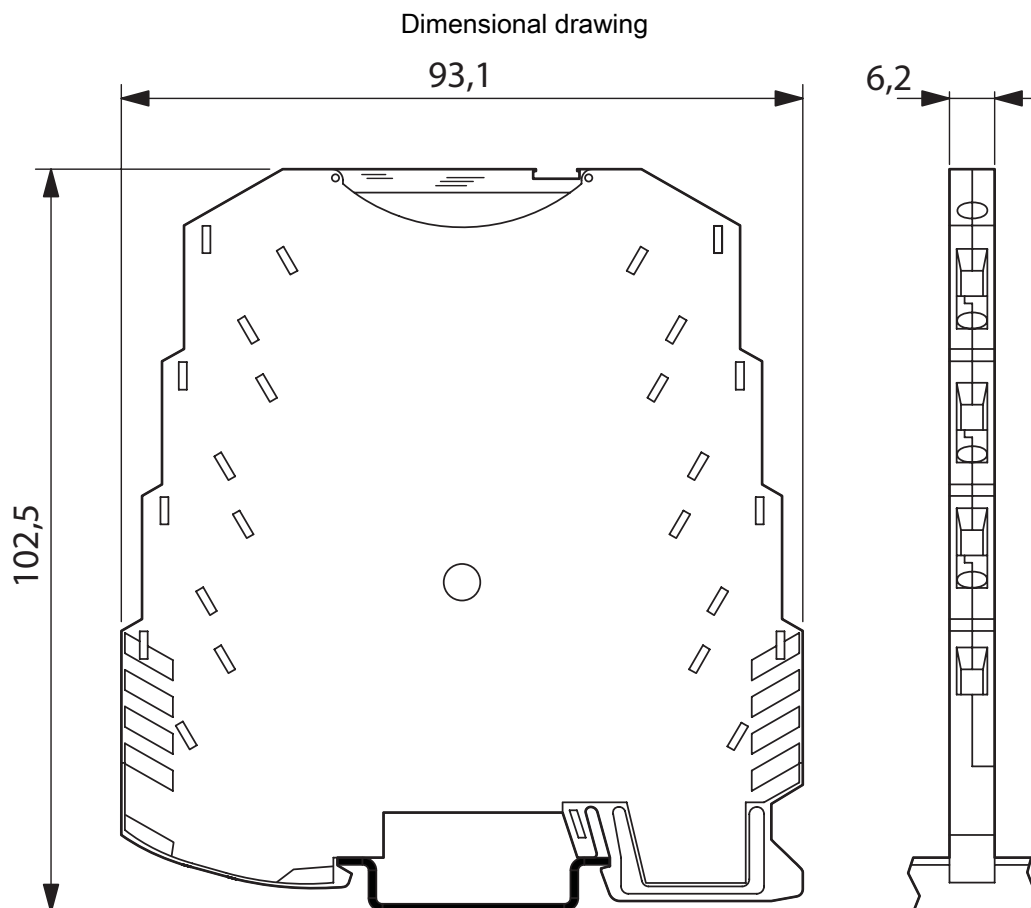
MINI MCR-SL-NAM-2RNO - Switching amplifier

2864105

<https://www.phoenixcontact.com/ro/produse/2864105>



Desene



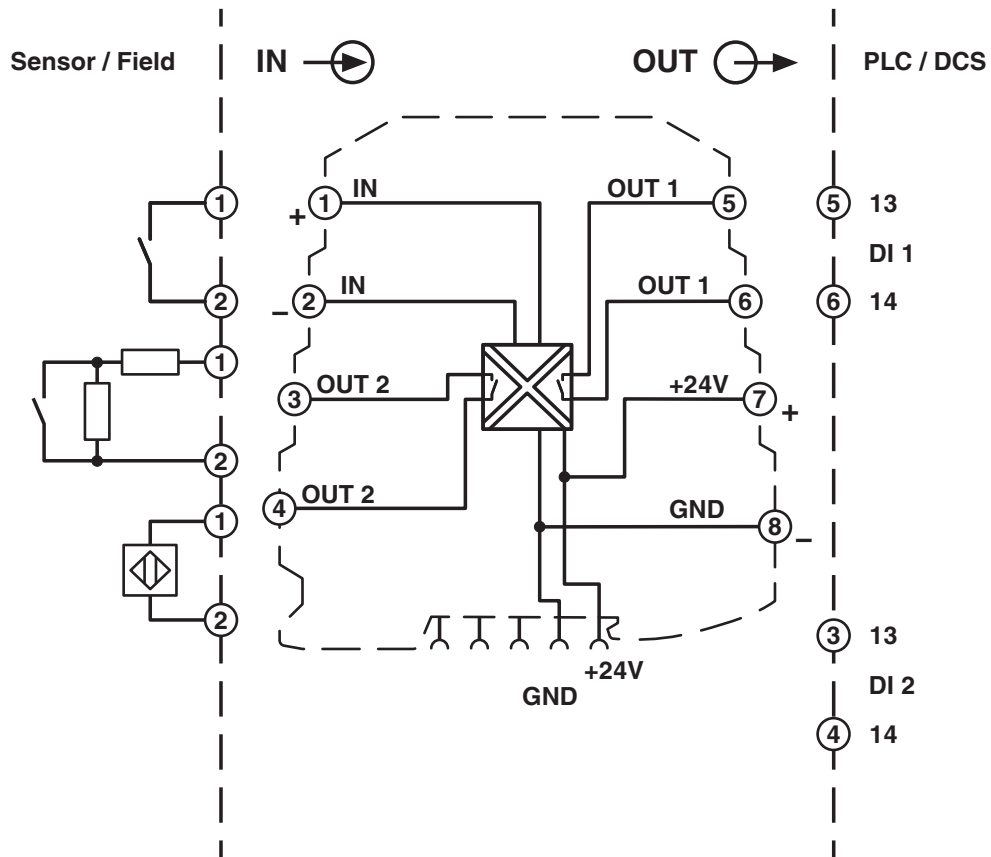
MINI MCR-SL-NAM-2RNO - Switching amplifier



2864105

<https://www.phoenixcontact.com/ro/produse/2864105>

Block diagram



MINI MCR-SL-NAM-2RNO - Switching amplifier



2864105

<https://www.phoenixcontact.com/ro/produse/2864105>

Aprobări

To download certificates, visit the product detail page: <https://www.phoenixcontact.com/ro/produse/2864105>



cUL Recognized
ID de înregistrare: FILE E 238705



UL Recognized
ID de înregistrare: FILE E 238705

DNV

ID de înregistrare: TAA000020N



cUL Listed
ID de înregistrare: FILE E 199827



UL Listed
ID de înregistrare: FILE E 199827

cULus Recognized

cULus Listed

MINI MCR-SL-NAM-2RNO - Switching amplifier



2864105

<https://www.phoenixcontact.com/ro/produse/2864105>

Clasificări

ECLASS

ECLASS-11.0	27210121
ECLASS-12.0	27210121
ECLASS-13.0	27210121

ETIM

ETIM 9.0	EC001485
----------	----------

UNSPSC

UNSPSC 21.0	39121000
-------------	----------

MINI MCR-SL-NAM-2RNO - Switching amplifier



2864105

<https://www.phoenixcontact.com/ro/produse/2864105>

Environmental product compliance

EU RoHS

Îndeplinește cerințele conform directivei RoHS	Da
reglementări excepționale, dacă sunt cunoscute	7(a), 7(c)-I

China RoHS

Environment friendly use period (EFUP)	EFUP-50
	Un tabel de declarații China RoHS legat de articol poate fi găsit în zona de descărcare a articolului respectiv la „Declarația producătorului”. Nu se emite și nu este necesar niciun tabel de declarații China RoHS pentru toate articolele EFUP-E.

EU REACH SVHC

Trimitere la substanța candidată REACH (nr. CAS)	Lead(nr. CAS: 7439-92-1)
SCIP	6c6ab73b-1a05-446f-bf21-c6c060b1b5c1

MINI MCR-SL-NAM-2RNO - Switching amplifier

2864105

<https://www.phoenixcontact.com/ro/produse/2864105>

Accesorii

ME 6,2 TBUS-2 1,5/5-ST-3,81 GY - DIN rail bus connectors

2695439

<https://www.phoenixcontact.com/ro/produse/2695439>

DIN rail connector (TBUS), 5-pos., for bridging the supply voltage, can be snapped onto NS 35/... DIN rail in accordance with EN 60715

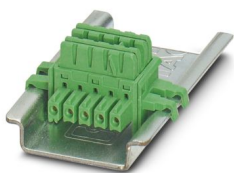


ME 6,2 TBUS-2 1,5/5-ST-3,81 GN - DIN rail bus connectors

2869728

<https://www.phoenixcontact.com/ro/produse/2869728>

DIN rail connector for DIN rail mounting. Universal for TBUS housing. Gold-plated contacts, 5-pos.



MINI MCR-SL-NAM-2RNO - Switching amplifier

2864105

<https://www.phoenixcontact.com/ro/produce/2864105>

TC-D37SUB-AIO16-M-PS-UNI - Module carrier

2902934

<https://www.phoenixcontact.com/ro/produce/2902934>



Universal termination carrier for connecting 16 MINI Analog signal conditioners to digital or analog I/O cards, via D-SUB connector, 37-pos. (1:1 connection), with HART multiplexer connection

TC-D37SUB-ADIO16-M-P-UNI - Module carrier

2902933

<https://www.phoenixcontact.com/ro/produce/2902933>



Universal termination carrier for connecting 16 MINI Analog signal conditioners to digital or analog I/O cards, via D-SUB connector, 37-pos. (1:1 connection)

MINI MCR-SL-NAM-2RNO - Switching amplifier

2864105

<https://www.phoenixcontact.com/ro/produce/2864105>



MINI MCR DKL - Transparent cover

2308111

<https://www.phoenixcontact.com/ro/produce/2308111>



Fold up transparent cover for MINI MCR modules with additional labeling option using insert strips and flat Zack marker strip 6.2 mm

MINI MCR-DKL-LABEL - Marking label

2810272

<https://www.phoenixcontact.com/ro/produce/2810272>



Label for extended marking of MINI MCR modules in connection with the MINI MCR-DKL

MINI MCR-SL-NAM-2RNO - Switching amplifier

2864105

<https://www.phoenixcontact.com/ro/produse/2864105>



MINI MCR-SL-PTB - Power terminal block

2864134

<https://www.phoenixcontact.com/ro/produse/2864134>



MCR power terminal block for supplying several MINI Analog modules via the DIN rail connector, with screw connection, maximum current consumption of up to 2 A

QUINT4-SYS-PS/1AC/24DC/2.5/SC - Power supply unit

2904614

<https://www.phoenixcontact.com/ro/produse/2904614>



Primary-switched power supply, QUINT POWER, screw connection, DIN rail mounting, supply of devices possible via the TBUS DIN rail connector, protective coating, input: single-phase, output: 24 V DC/2.5 A

MINI MCR-SL-NAM-2RNO - Switching amplifier



2864105

<https://www.phoenixcontact.com/ro/produse/2864105>

SZS 0,6X3,5 - Screwdriver

1205053

<https://www.phoenixcontact.com/ro/produse/1205053>



Actuation tool, for ST terminal blocks, insulated, also suitable for use as a bladed screwdriver, size: 0.6 x 3.5 x 100 mm, 2-component grip, with non-slip grip

Phoenix Contact 2024 © - Toate drepturile rezervate

<https://www.phoenixcontact.com>

PHOENIX CONTACT România

Splaiul Unirii 165 Timpuri Noi Square TNO1, Etaj 1

Bucuresti 030133

+40 21 350 88 12 - 3

sales.ro@phoenixcontact.com